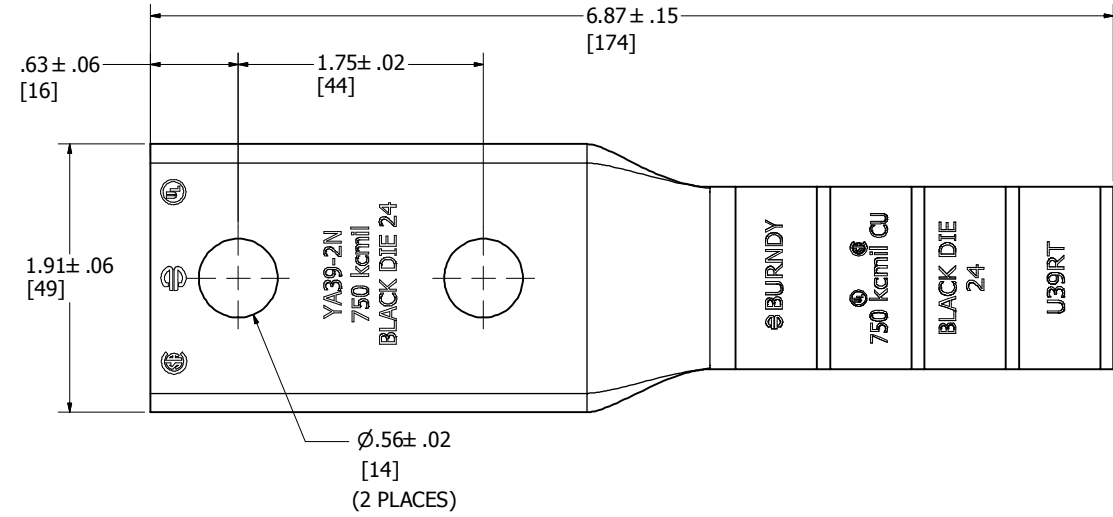
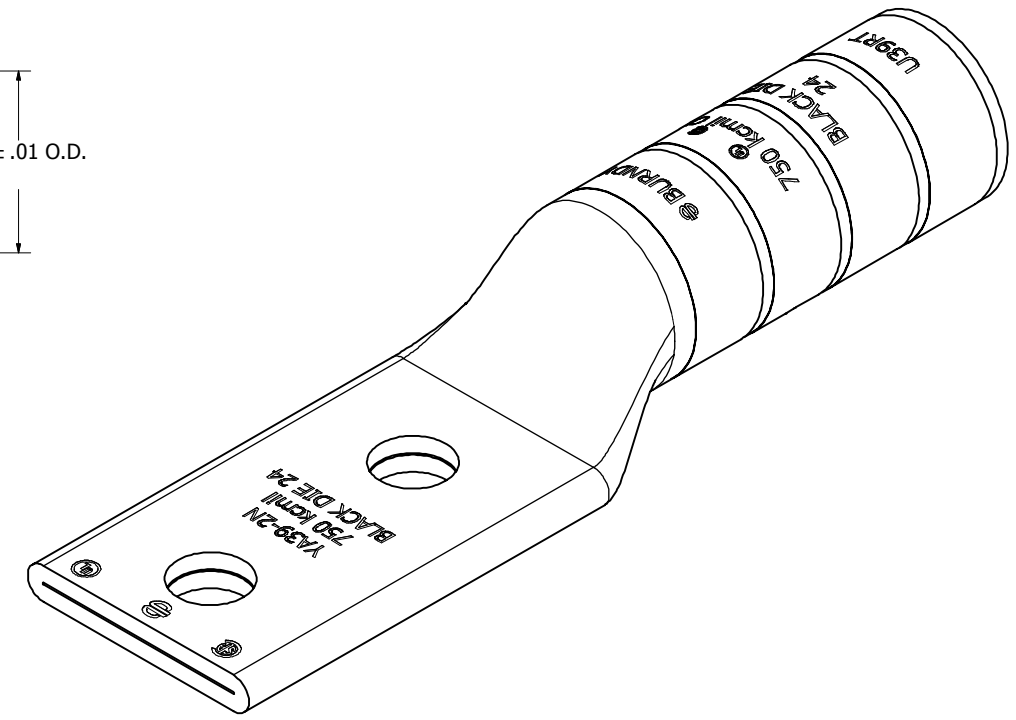
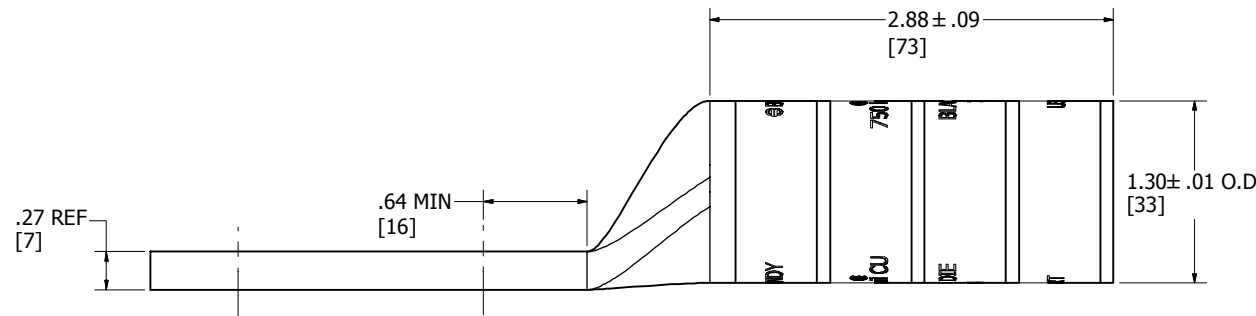


STRANDED COPPER CONDUCTOR ACCOMMODATED			BOLT SIZE	METRIC BOLT SIZE	COLOR CODE	DIE INFORMATION		MECHANICAL RATCHET				HYDRAULIC					DIELESS (# CRIMPS)	WIRE STRIP LENGTH	REV	DATE	DESCRIPTION	ECO	BY	C'H'K		
CODE (AWG)	NAVY	METRIC SIZE (CLASS 2)				DIE INDEX	TYPE	Y1MRTC	OUR840	MD6 MD7	MD6--R2 MD7-34R	PAT600 Y500	Y34A Y34B Y34BH	Y35, Y39 Y750, PAT750	PAT46 Y46	Y45			Y48B	Y60BHU	A	11/15/2012	NEW SALES DRAWING CREATED	29389	CG	MA
750 kcmil	----	375mm ² STR	1/2	M12	BLACK	24	BLACK DIE SET	----	----	----	----	----	----	U39RT(4)	U39RT(4) P39RT(4)	U39RT(4) S39RT(4)	C39R(2) C36AR(2)	L39RT(2) L36ART(2)	HYDRAULIC: Y644(1) PAT644(1) Y81KFT(4) PAT81KFT(4)	2 - 15/16"						
							NEST INDENTOR	----	----	----	----	----	----	----	P39D(2) P44PR	----	C39D(2) Y48PR	----								



BARREL MARKING



NOTES:

- MATERIAL: COPPER TUBING
- FINISH: TIN PLATED.
- CATALOG # PT6515 ADAPTOR IS REQUIRED TO USE "U" DIES IN Y45 SERIES TOOLS.
- CATALOG # PUADP-1 ADAPTOR IS REQUIRED TO USE "U" DIES IN Y46 SERIES TOOLS.
- PERMANENT DIE IN TOOLING.
- DIMENSIONS IN BRACKETS [] ARE IN MILLIMETERS ROUNDED OFF TO THE NEAREST MILLIMETER, UNLESS OTHERWISE NOTED, AND ARE FOR REFERENCE ONLY.
- FOR USE BY CUSTOMERS THAT HAVE THIS HYPRESS.™ NO NEW Y34A HYPRESS™ TOOLS ARE BEING PROCESSED. Y34A USES A--D TYPE NEST DIES.
- UL LISTED AND CSA CERTIFIED WIRE CONNECTORS.
- "X", "W-RT", "W-VT", "U", & "L" DIE SETS ARE COLOR CODED. "A", "B", AND "C" DIES ARE NOT COLOR CODED. NESTS AND INDENTOR TYPE ARE NOT COLOR CODED.

HYLUG™		ITEM NO: 510235	
		CAT. NO: YA392N	
DRAWN BY: GANESAN	11/15/2012		
CHECKER: J.MICHAUD	5/2/2013		
DSN APRVL: R.ROMAN	4/26/2013		
MFG APRVL: M.KNAPTON	4/26/2013		
QA APRVL: T.WATTS	4/29/2013		
MKT APRVL: J.SYLVIA	4/25/2013		
PROD FAM: CM&R COMPRESSION		DRAWING NO	REV
PROJECT #: --	SIZE	50014349	A
DOCUMENT TYPE: SALES			
REL LEVEL: Released	D		SHEET 1 OF 1